



DStv Switch (5-1)  
User Guide

# Introduction

You're one step closer to our world of extraordinary entertainment!

This DStv Switch has been specially designed and manufactured for your DStv Explora and XtraView installations. You'll need the DStv Switch in order to connect your DStv Explora to most existing DStv installations.

This User Guide will help you with simple connections to your satellite dish, your DStv Explora and some XtraView combinations. If you have another kind of multiswitch or a custom installation, then please refer to **[www.dstv.com](http://www.dstv.com)** for further information.

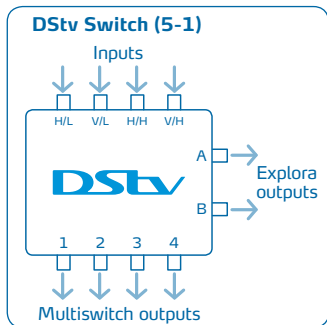
The DStv Switch (5-1) carries a 12-month warranty from the day you bought it. Terms and Conditions can be found on **[www.dstv.com](http://www.dstv.com)**.



Some of the information in this guide can get a little technical; as always, we recommend the use of a DStv Accredited Installer for all your installation needs. It's easy to locate one in your area - just go to **[www.dstv.com](http://www.dstv.com)**.

## Your DStv Switch (5-1)

- The DStv Switch (5-1) has:
  - Four inputs (labelled H/L, V/L, H/H, V/H);
  - Four normal multiswitch outputs (labelled 1 to 4); and
  - Two Explora outputs (labelled A and B). The DStv Explora can only be connected to this output.
- Each multiswitch output (labelled 1 to 4) outputs a signal equivalent to a normal multiswitch output or a single LNB output.
- The DStv Switch comes with 3 cables. You may need additional cabling, depending on your set up.
- The DStv Switch self-terminates unused ports, which means you don't have to cap them.
- You'll know your switch is powered when the blue light is on.
- Keep in mind - this switch is not a signal booster.



### Troubleshooting Tip

If the DStv Switch's blue light is not on (indicating that it's getting power), check that the outputs to the decoder(s) are: 1) Securely connected (both to the switch and decoder), and 2) That the decoder(s) themselves are switched on and getting power.

## LNB Requirements

- If you are in South Africa or Southern Africa (an IS20\* installation), your DStv Switch (5-1) requires input from a twin, quad or quattro LNB. It will not work if connected to a single feed or Unicable™ LNB\*\*, even if the feed is split.
- If you're in Angola or Mozambique (an E36B\* installation), your DStv Switch (5-1) requires inputs from either a quad or quattro LNB. It will not work if connected to a twin LNB, single feed or Unicable™ LNB\*\*, even if the feed is split.
- If you are located anywhere else in Africa (an E36B\* installation), your DStv Switch (5-1) requires input from a twin, quad or quattro LNB. It will not work if connected to a single feed or Unicable™ LNB\*\*, even if the feed is split.

If you are unsure of the LNB used in your installation, which satellite your installation connects to, or if your installation has several multiswitches, we recommend contacting a DStv Accredited Installer. You can find your nearest one at [www.dstv.com](http://www.dstv.com)



\* IS20 is the satellite footprint used for DStv services in Southern Africa. E36B is for East and West African countries.

\*\* Unicable™, is a standard for single cable distribution of multiple satellite signals. SatCR (Satellite Cable Router) and CSS (Channel Stacking Switch) both provide Unicable™ solutions.

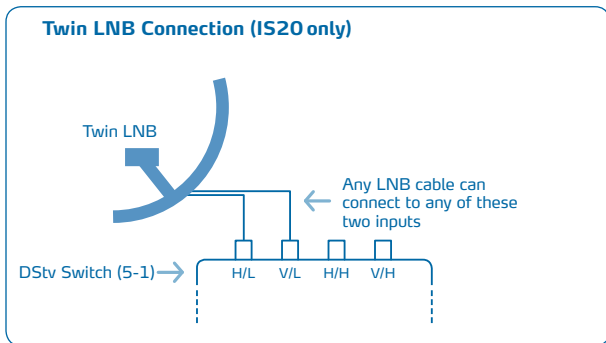
## Connecting the Inputs from your Satellite Dish



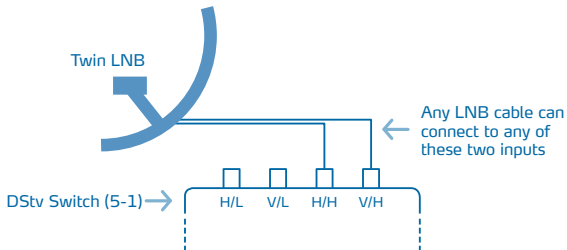
### Please Note

- If you have a Unicable™ LNB, you can connect your LNB cable directly to the DStv Explora (there is no need to use this switch).
- If you have a Unicable™ LNB with multiple decoders in your home, please contact your DStv Accredited Installer.
- The DStv Switch (5-1) may not be required when connecting the DStv Explora to existing single-cable distribution systems (like those found in apartments or complexes). Please refer to the installer of the system for confirmation.

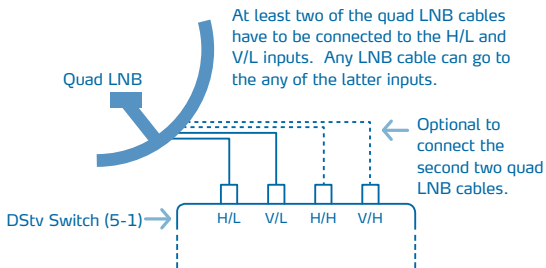
The following diagrams show you how to connect the inputs from your satellite dish.



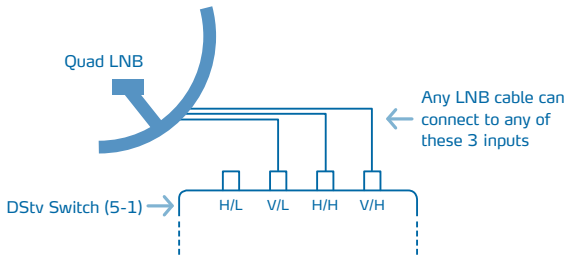
### Twin LNB Connection (E36B only)



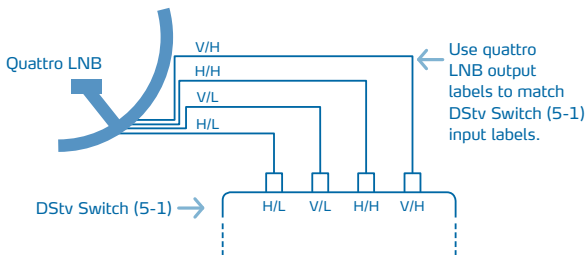
### Quad LNB Connection



### 3 Cable Quad LNB Connection (E36B Angola and Mozambique only)



### Quattro LNB Connection



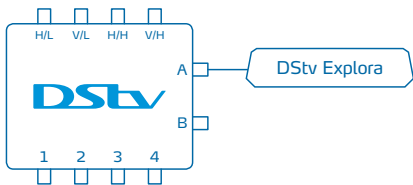
## Connecting the Switch to your Decoder(s)

The DStv Switch (5-1) has two Explora outputs (labelled A and B) and four normal multiswitch outputs (labelled 1 to 4).

- The Explora outputs can only be connected to a DStv Explora, they aren't designed to connect to other decoder models. (Note: The DStv Switch (5-1) can only be connected to one DStv Explora at any one time.)
- The four normal multiswitch outputs can be connected to up to four single view decoders, one 4 Tuner HD PVR, or a mix of DStv decoders (other than the DStv Explora). Again, remember that the DStv Explora cannot be connected to these particular outputs.

**!** These diagrams exclude the connections between decoders that are required for XtraView. For information on XtraView installations, including connections and settings, please contact a DStv Accredited Installer or go to [www.dstv.com](http://www.dstv.com)

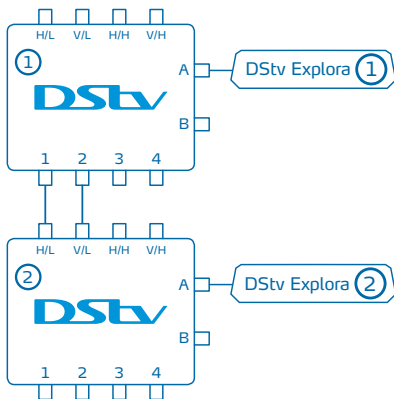
### Connecting the DStv Switch (5-1) to one DStv Explora



Once the switch has been connected to the satellite dish, use the supplied cable and connect output A or B on the switch to the input labelled UNICABLE™ IN on the back of your DStv Explora.



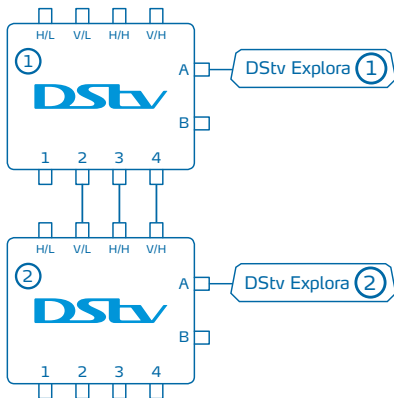
## Connecting the DStv Switch (5-1) to two DStv Exploras (IS20)



This installation requires a DStv Switch per DStv Explora. The DStv Switch (5-1) can only be connected to one DStv Explora at any one time.

- Once the first switch has been connected to the satellite dish, connect output A or B on the first switch to the input labelled UNICABLE™ IN on the back of your first DStv Explora.
- Then, using the provided cables, connect the first DStv Switch to a second DStv Switch. Connect the outputs labelled 1 and 2 on the first switch, to the inputs marked H/L and V/L on the second switch.
- Once the DStv Switches have been connected, connect output A or B on the second switch to the input labelled UNICABLE™ IN on the back of your second DStv Explora.

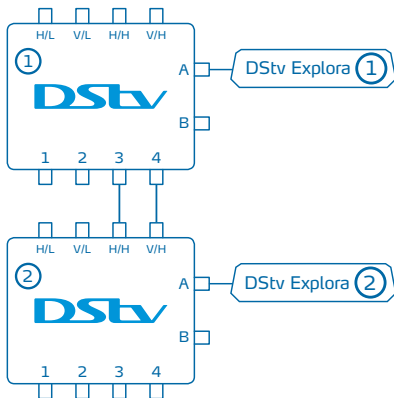
## Connecting the DStv Switch (5-1) to two DStv Exploras (E36B Angola and Mozambique only)



This installation requires a DStv Switch per DStv Explora. The DStv Switch (5-1) can only be connected to one DStv Explora at any one time.

- Once the first switch has been connected to the satellite dish, connect output A or B on the first switch to the input labelled UNICABLE™ IN on the back of your first DStv Explora.
- Then, using the provided cables, connect the first DStv Switch to a second DStv Switch. Connect the outputs labelled 2, 3 and 4 on the first switch, to the inputs marked V/L, H/H and V/H on the second switch.
- Once the DStv Switches have been connected, connect output A or B on the second switch to the input labelled UNICABLE™ IN on the back of your second DStv Explora.

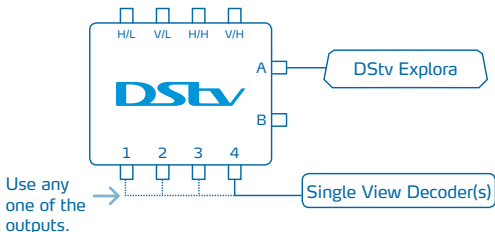
## Connecting the DStv Switch (5-1) to two DStv Exploras (E36B)



This installation requires a DStv Switch per DStv Explora. The DStv Switch (5-1) can only be connected to one DStv Explora at any one time.

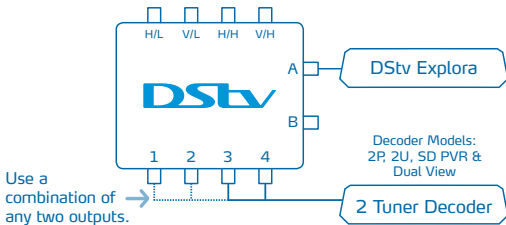
- Once the first switch has been connected to the satellite dish, connect output A or B on the first switch to the input labelled UNICABLE™ IN on the back of your first DStv Explora.
- Then, using the provided cables, connect the first DStv Switch to a second DStv Switch. Connect the outputs labelled 3 and 4 on the first switch, to the inputs marked H/H and V/H on the second switch.
- Once the DStv Switches have been connected, connect output A or B on the second switch to the input labelled UNICABLE™ IN on the back of your second DStv Explora.

## Connecting the DStv Switch (5-1) to one DStv Explora and one to four Single View Decoders



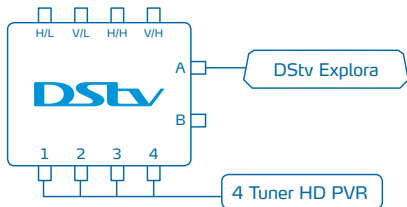
- Once the switch has been connected to the satellite dish, use the supplied cable and connect output A or B on the switch to the input labelled UNICABLE™ IN on the back of your DStv Explora.
- Then connect the outputs labelled 1 to 4 on the switch to the satellite inputs on the back of the Single View Decoder(s).

## Connecting the DStv Switch (5-1) to one DStv Explora and one 2 Tuner Decoder



- Once the switch has been connected to the satellite dish, use the supplied cable and connect output A or B on the switch to the input labelled UNICABLE™ IN on the back of your DStv Explora.
- Then connect any two outputs (labelled 1 to 4) on the switch to the satellite inputs on the back of the 2 Tuner Decoder (like a Dual View, SD PVR, HD PVR 2P or HD PVR 2U).

## Connecting the DStv Switch (5-1) to one DStv Explora and one 4 Tuner HD PVR



- Once the switch has been connected to the satellite dish, use the supplied cable and connect output A or B on the switch to the input labelled UNICABLE™ IN on the back of your DStv Explora.
- Then connect the outputs labelled 1 to 4 on the switch to the satellite inputs on the back of the 4 Tuner HD PVR.

Information correct at time of going to print. For updated information, go to [www.dstv.com](http://www.dstv.com) (the "DStv website").  
In the event of conflict between this information and the information on the DStv website, the information on the DStv website will prevail.

e80e (August 2013, V2.7)

### **Call Centres (open 7am - 11pm daily)**

**Johannesburg** (011) 289 2222

**Pretoria** (012) 422 2222

**Cape Town** (021) 508 2222

**Durban** (031) 710 2222

**Port Elizabeth** (041) 395 2222

**Bloemfontein** (051) 503 2222

**Mobile** 083 900 DSTV (3788) VAS rates apply

### **Also find us on**

[www.dstv.com](http://www.dstv.com)



